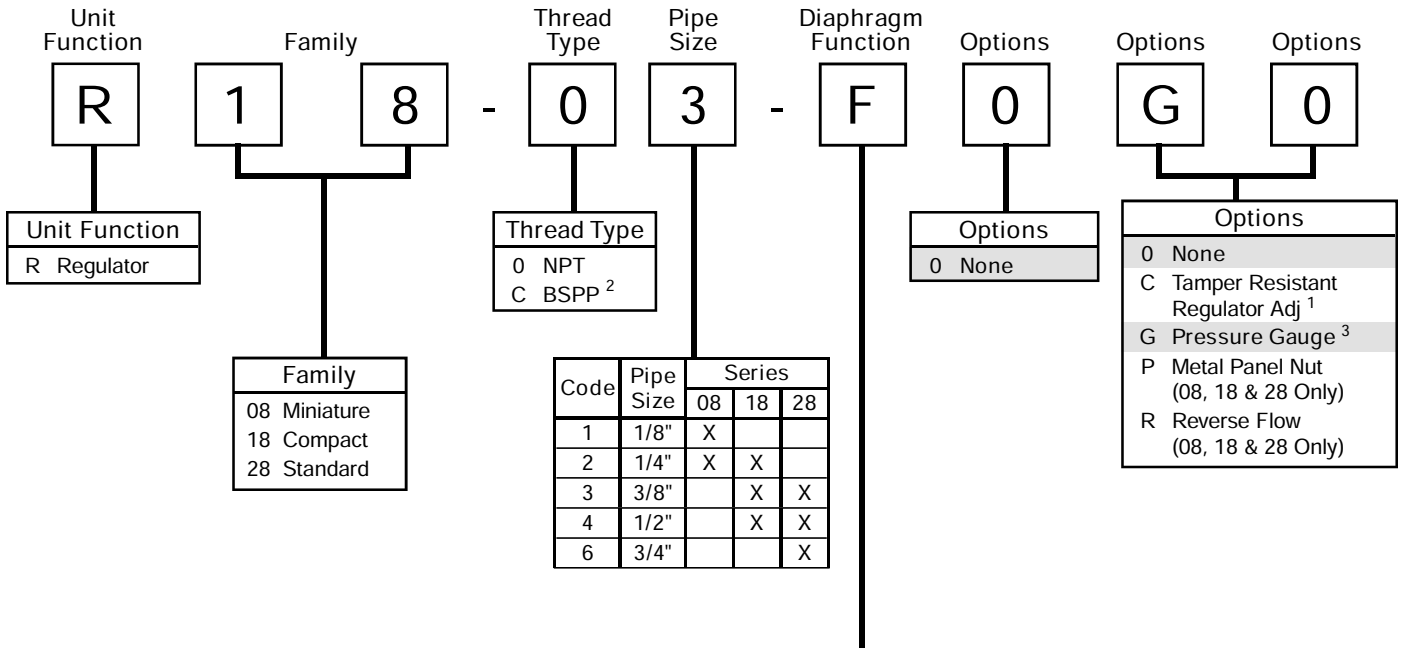


Regulator Numbering System

= Most Popular



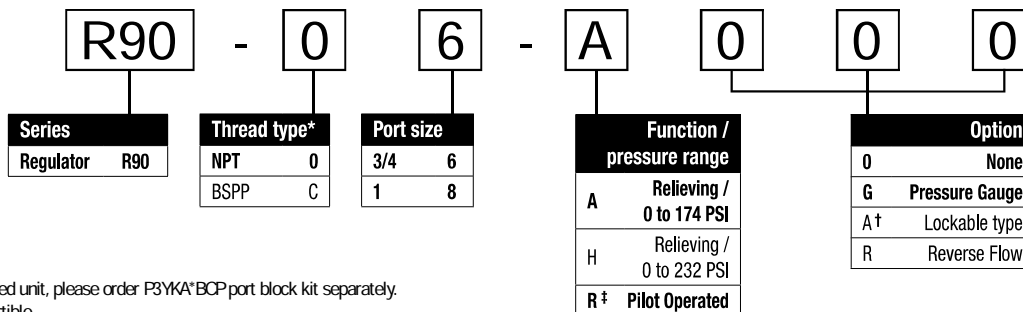
| Code | Pipe Size | Series | | |
|------|-----------|--------|----|----|
| | | 08 | 18 | 28 |
| 1 | 1/8" | X | | |
| 2 | 1/4" | X | X | |
| 3 | 3/8" | | X | X |
| 4 | 1/2" | | X | X |
| 6 | 3/4" | | | X |

| Diaphragm Function | Fluorocarbon | Spring Range | | | | |
|--------------------|--------------|--------------------------------|--------------------------------|---------------------------------|---|---|
| | | 0 to 30 PSIG (0 to 2.1 bar) | 0 to 60 PSIG (0 to 4.1 bar) | 0 to 125 PSIG (0 to 8.6 bar) | 0 to 200 PSIG ⁴ (0 to 13.7 bar) | 0 to 250 PSIG ⁴ (0 to 17.2 bar) |
| Relieving | No | C | D | F | H | G |
| | Yes | J | K | L | N | M |
| Non-relieving | No | P | W | R | T | S |
| | Yes | V | X | Y | U | Z |

- ¹ Tamper kit not installed. Kit is shipped loose in carton, for 08, 18 & 28 NPT units.
- ² ISO, R228 (G Series).
- ³ For 08 Series only: "G" in position 8 or 9 is for unit with flush mounted pressure gauge. Units without gauge have 1/8" threaded gauge ports, and a center back mounted pressure gauge must be ordered separately.
- ⁴ Not Available on 08 Series.

NOTE: When selecting from the options columns, please enter letters in alphabetical order for positions 7, 8, and 9.
For example:

R 18 - 0 3 - F 0 G 0



- Notes:
- * For 1-1/2" ported unit, please order P3YKA*BCP port block kit separately.
 - † Not field convertible.
 - ‡ No options available on pilot operated.

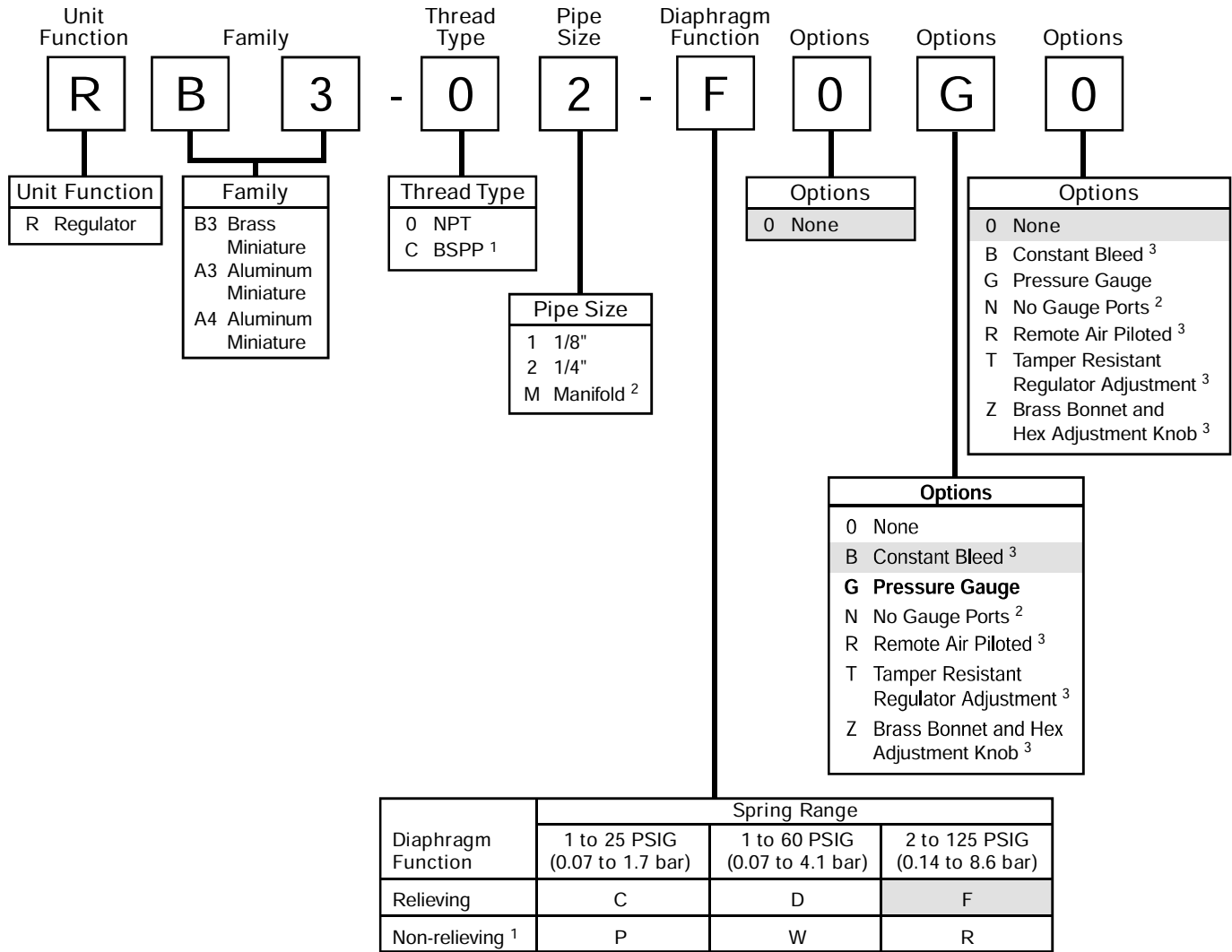
Bold items are most common.

B

Filters, Regulators, Lubricators

RB3 / RA3 Series Regulator Numbering System = Most Popular

B
Filters, Regulators, Lubricators



¹ ISO, R228 (G Series)

² RA4 Only

³ Not available on RA4

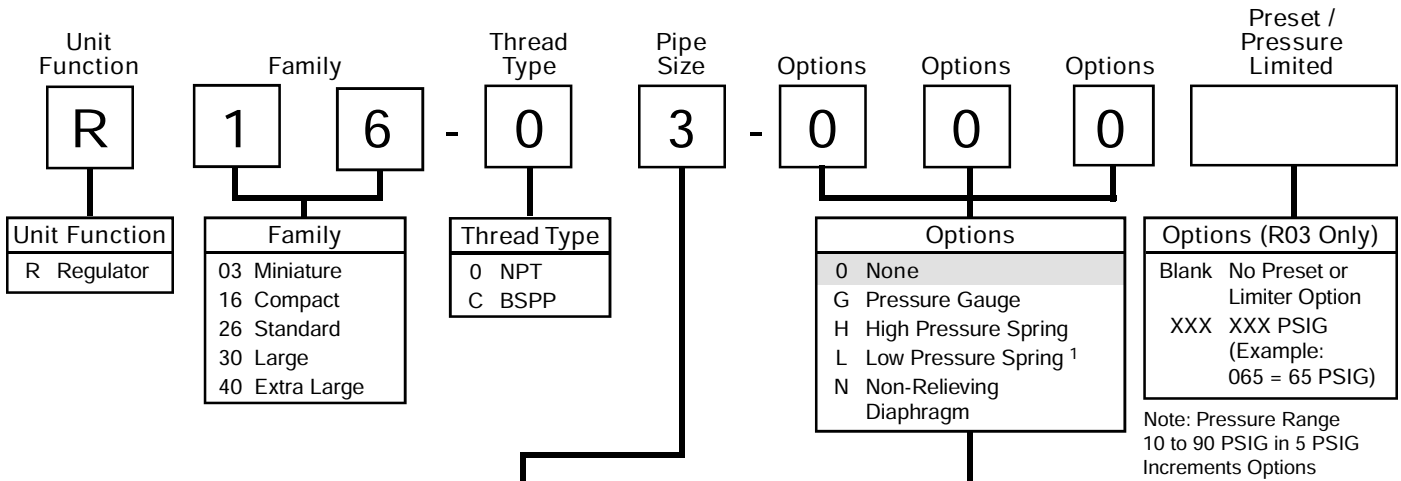
NOTE: When selecting from the options columns, please enter letters in alphabetical order for positions 8, and 9.
For example:

RB3 - 0 2 - F 0 G I

NOTE: Standard pressure adjustment is plastic "snap lock" knob and plastic bonnet with plastic panel mount nut.

Regulator Numbering System

= Most Popular



| Code | Pipe Size | Series | | | | |
|------|-----------|--------|----|----|----|----|
| | | 03 | 16 | 26 | 30 | 40 |
| 1 | 1/8" | X | | | | |
| 2 | 1/4" | X | X | X | | |
| 3 | 3/8" | | X | X | | |
| 4 | 1/2" | | X | X | | |
| 6 | 3/4" | | | | X | |
| 8 | 1" | | | | X | |
| B | 1-1/2" | | | | | X |
| C | 2" | | | | | X |

| Options | |
|---------|----------------------------------|
| 0 | None |
| G | Pressure Gauge |
| H | High Pressure Spring |
| L | Low Pressure Spring ¹ |
| N | Non-Relieving Diaphragm |

| Options (R03 Only) | |
|--------------------|-----------------------------------|
| Blank | No Preset or Limiter Option |
| XXX | XXX PSIG (Example: 065 = 65 PSIG) |

Note: Pressure Range 10 to 90 PSIG in 5 PSIG Increments Options

| Options (R03 Only) | |
|--------------------|-----------------------------------|
| 0 | Standard, 2 to 125 PSI, Relieving |
| G** | Pressure Gauge |
| J*† | Preset, Adjustable |
| K*† | Preset, Non-Adj. / Epoxy |
| L | 1 to 60 PSI, Relieving |
| M | Panel Nut Included |
| N | 2 to 125 PSI, Non-Relieving |
| P | 1 to 30 PSI, Relieving |
| Q | 1 to 15 PSI, Relieving |
| R*† | Pressure Limiter |
| S | 1 to 60 PSI, Non-Relieving |
| T | 1 to 30 PSI, Non-Relieving |
| U | 1 to 15 PSI, Non-Relieving |

- * Inlet pressure is 100 PSIG. For other pressures, consult factory.
- ** Not available with BSPP thread type.
- † Must specify preset or limited pressure.

Spring Type by Preset / Limited Pressure:
 For Preset / Limited Pressure 10 to 25 use 30 PSI Spring
 For Preset / Limited Pressure 26 to 50 use 60 PSI Spring
 For Preset / Limited Pressure 51 to 90 use 125 PSI Spring

If more than one option is desired, arrange them in alphabetical order in positions 6, 7, and 8.

¹ Not available on R30.

B
Filters, Regulators, Lubricators